



			1	29		W38LM	WASHER, LOCK	SST 316	3/8
			6	28		N50FHMM	NUT	SST 316	1/2-20 UNF
			1	27		***	BAF ROD CLAMP ASSY	SST	3/8 DIA BAFFLE ROD
			1	26		Z46L	KNOB	SST 304	K82-2028
			1	25		C90569M	SUPPORT, MOTOR	SST 316	
			3	24		W19LM	WASHER, LOCK	SST 316	10
			3	23		S19F200SHM	SH CAP SCREW	SST 316	10-32 x 2 LNG
			1	22		B90575M	ROD, BAFFLE	SST 316	
			1	21		N38CAHM	NUT, ACORN	SST 316	3/8-16 UNC
			1	20		N38CHJM	NUT, JAM	SST 316	3/8-16 UNC
			1	19		B90576JA	BEARING	RULON	
			1	18		B90577P	SLEEVE	SST17-4	
			1	17		S25C050SSM	SH SET SCREW	SST 316	1/4-20 x 1/2 LNG
			1	16		C90566-1M	HSG, ROTOR	SST 316	
			1	15		N63FHMM	NUT	SST 316	5/8-18 UNF
			1	14		S19F025SHM	SH CAP SCREW	SST 316	10-32 x 1/4 LNG
			1	13		C90578M	ROTOR	SST 316	4" DIAMETER
			1	12		B90574M	PLATE, BAFFLE	SST 316	
			1	11		B90573JA	BUSH., BAFFLE	RULON	
			1	10		RR5100-102	SNAP RING	SST	5100-102
			1	9		B90571M	SHAFT, MIXER	SST 316	
			3	8		B90572M	ROD, SUPPORT	SST 316	
			1	7A	S/S Motors	B90567-1M	COUPLING, MOTOR	SST 316	WITH SST MOTOR
			1	6A		B90568-1M	COUPLING, SHAFT	SST 316	WITH SST MOTOR
			1	7		B90567M	COUPLING, MOTOR	SST 316	
			1	6		B90568M	COUPLING, SHAFT	SST 316	
			4	5		S25C038SSM	SH SET SCREW	SST 316	1/4-20 x 3/8 LNG
			4	4		W38LM	WASHER, LOCK	SST 316	3/8
			4	3		S38C225HHM	HH CAP SCREW	SST 316	3/8-16 x 2.25 LNG
			4	2		B90570L	STAND OFF	SST 304	
			1	1		***	MOTOR		3600 RPM
						D9204-1	HOMOGENIZER		
QTY	REQD PER DASH NO.	ITEM NO.	CODE IDENT	PART OR IDENTIFYING NO.	NOMENCLATURE OR DESCRIPTION	MATERIAL	SPECIFICATION		

PARTS LIST

<p>UNLESS OTHERWISE SPECIFIED DIMENSIONS ARE IN INCHES TOLERANCES .X = ±.030, .XX = ±.010 .XXX = ±.005 ANGULAR ± 30' BREAK SHARP EDGES .003-.015 ALL SMALL FILLETS .020-.040R THREADS PER FED. HANDBK H-28 AND SUPPLEMENTS DIMENSIONING PER ANSI Y14.5M-1982 WELD SYMBOLS PER AWS A2.4 SURFACE ROUGHNESS SYMBOLS PER ANSI-B46.1 ALL FINISHED SURFACES <input checked="" type="checkbox"/></p>	DRAWN BY	M. T.	8/22/06	 <p>ARDE, INC. NORWOOD, NJ</p>
	CHECKER			
	DES. ENG'R			
	STRESS ENG'R			
	PROG. ENG'R			
NEXT ASSEMBLY	MFG			<p>TITLE</p> <p>CJ-20-1 PARTS LIST</p>
E***	QUAL. CONTROL			
				<p>SIZE</p> <p>D</p>
				<p>CODE ID NO.</p> <p>05980</p>
				<p>D9204-1</p>
				<p>SCALE</p>
				<p>SHEET 1 OF 1</p>


		1	29		W50LM	WASHER, LOCK	SST 316	1/2
		6	28		N50FHMM	NUT	SST 316	1/2-20 UNF
		1	27		***	BAF ROD CLAMP ASSY	SST	1/2 DIA BAFFLE ROD
		1	26		Z46L	KNOB	SST 304	K82-2028
		1	25		C90569-1M	SUPPORT, MOTOR	SST 316	
		3	24		W19LM	WASHER, LOCK	SST 316	10
		3	23		S19F200SHM	SH CAP SCREW	SST 316	10-32 x 2 LNG
		1	22		C-90223-2MX	ROD, BAFFLE	SST 316	
		1	21		N50CAHM	NUT, ACORN	SST 316	1/2-13 UNC
		1	20		N50CHHM	NUT	SST 316	1/2-13 UNC
		1	19		B90576JA	BEARING	RULON	
		1	18		B90577P	SLEEVE	SST17-4	
		1	17		S25C050SSM	SH SET SCREW	SST 316	1/4-20 x 1/2 LNG
		1	16		C90566-1M	HSG, ROTOR	SST 316	
		1	15		N63FHMM	NUT	SST 316	5/8-18 UNF
		1	14		S19F025SHM	SH CAP SCREW	SST 316	10-32 x 1/4 LNG
		1	13		C90578M	ROTOR	SST 316	4" DIAMETER
		1	12		B90574-1M	PLATE, BAFFLE	SST 316	
		1	11		B90573-1JA	BUSH., BAFFLE	RULON	
		1	10		RR5100-125	SNAP RING	SST	5100-125
		1	9		B90571-1M	SHAFT, MIXER	SST 316	
		3	8		B90572-1M	ROD, SUPPORT	SST 316	
		1	7A	3/8	B90567-1M	COUPLING, MOTOR	SST 316	WITH SST MOTOR
		1	6A	motors	B90568-1M	COUPLING, SHAFT	SST 316	WITH SST MOTOR
		1	7		B90567M	COUPLING, MOTOR	SST 316	
		1	6		B90568M	COUPLING, SHAFT	SST 316	
		4	5		S25C038SSM	SH SET SCREW	SST 316	1/4-20 x 3/8 LNG
		5	4		W38LM	WASHER, LOCK	SST 316	3/8
		4	3		S38C225HHM	HH CAP SCREW	SST 316	3/8-16 x 2.25 LNG
		4	2		B90570L	STAND OFF	SST 304	
		1	1		***	MOTOR		3600 RPM
					D9204-2	HOMOGENIZER		
QTY	REQD PER DASH NO.	ITEM NO.	CODE IDENT	PART OR IDENTIFYING NO.	NOMENCLATURE OR DESCRIPTION	MATERIAL	SPECIFICATION	

PARTS LIST

<p>UNLESS OTHERWISE SPECIFIED DIMENSIONS ARE IN INCHES TOLERANCES .X = ±.030, .XX = ±.010 .XXX = ±.005 ANGULAR ± 30' BREAK SHARP EDGES .003-.015 ALL SMALL FILLETS .020-.040R THREADS PER FED. HANDBK H-28 AND SUPPLEMENTS DIMENSIONING PER ANSI Y14.5M-1982 WELD SYMBOLS PER AWS A2.4 SURFACE ROUGHNESS SYMBOLS PER ANSI-B46.1 ALL FINISHED SURFACES 63 ✓</p> <p>NEXT ASSEMBLY E***</p>	DRAWN BY	M. T.	8/22/06	 <p>ARDE, INC. NORWOOD, NJ</p> <p>TITLE CJ-20-2 PARTS LIST</p> <p>SIZE CODE ID NO. D 05980</p> <p>D9204-2</p>
	CHECKER			
	DES. ENG'R			
	STRESS ENG'R			
	PROG. ENG'R			
	MFG			
	QUAL. CONTROL			
			SCALE	SHEET 1 OF 1

			1	29		W50LM	WASHER, LOCK	SST 316	1/2
			6	28		N50FHMM	NUT	SST 316	1/2-20 UNF
			1	27		***	BAF ROD CLAMP ASSY	SST	1/2 DIA BAFFLE ROD
			1	26		Z46L	KNOB	SST 304	K82-2028
			1	25		C90569-1M	SUPPORT, MOTOR	SST 316	
			3	24		W19LM	WASHER, LOCK	SST 316	10
			3	23		S19F200SHM	SH CAP SCREW	SST 316	10-32 x 2 LNG
			1	22		C-90223-2MX	ROD, BAFFLE	SST 316	
			1	21		N50CAHM	NUT, ACORN	SST 316	1/2-13 UNC
			1	20		N50CHHM	NUT	SST 316	1/2-13 UNC
			1	19		B90576JA	BEARING	RULON	
			1	18		B90577P	SLEEVE	SST17-4	
			1	17		S25C050SSM	SH SET SCREW	SST 316	1/4-20 x 1/2 LNG
			1	16		C90566-1M	HSG, ROTOR	SST 316	
			1	15		N63FHMM	NUT	SST 316	5/8-18 UNF
			1	14		S19F025SHM	SH CAP SCREW	SST 316	10-32 x 1/4 LNG
			1	13		C90578M	ROTOR	SST 316	4" DIAMETER
			1	12		B90574-1M	PLATE, BAFFLE	SST 316	
			1	11		B90573-1JA	BUSH., BAFFLE	RULON	
			1	10		RR5100-125	SNAP RING	SST	5100-125
			1	9		B90571-2M	SHAFT, MIXER	SST 316	
			3	8		B90572-2M	ROD, SUPPORT	SST 316	
			1	7A	\$/s	B90567-1M	COUPLING, MOTOR	SST 316	WITH SST MOTOR
			1	6A	motors	B90568-1M	COUPLING, SHAFT	SST 316	WITH SST MOTOR
			1	7		B90567M	COUPLING, MOTOR	SST 316	
			1	6		B90568M	COUPLING, SHAFT	SST 316	
			4	5		S25C038SSM	SH SET SCREW	SST 316	1/4-20 x 3/8 LNG
			5	4		W38LM	WASHER, LOCK	SST 316	3/8
			4	3		S38C225HHM	HH CAP SCREW	SST 316	3/8-16 x 2.25 LNG
			4	2		B90570L	STAND OFF	SST 304	
			1	1		***	MOTOR		3600 RPM
						D9204-3	HOMOGENIZER		
QTY	REQD PER DASH NO.	ITEM NO.	CODE IDENT	PART OR IDENTIFYING NO.	NOMENCLATURE OR DESCRIPTION	MATERIAL	SPECIFICATION		

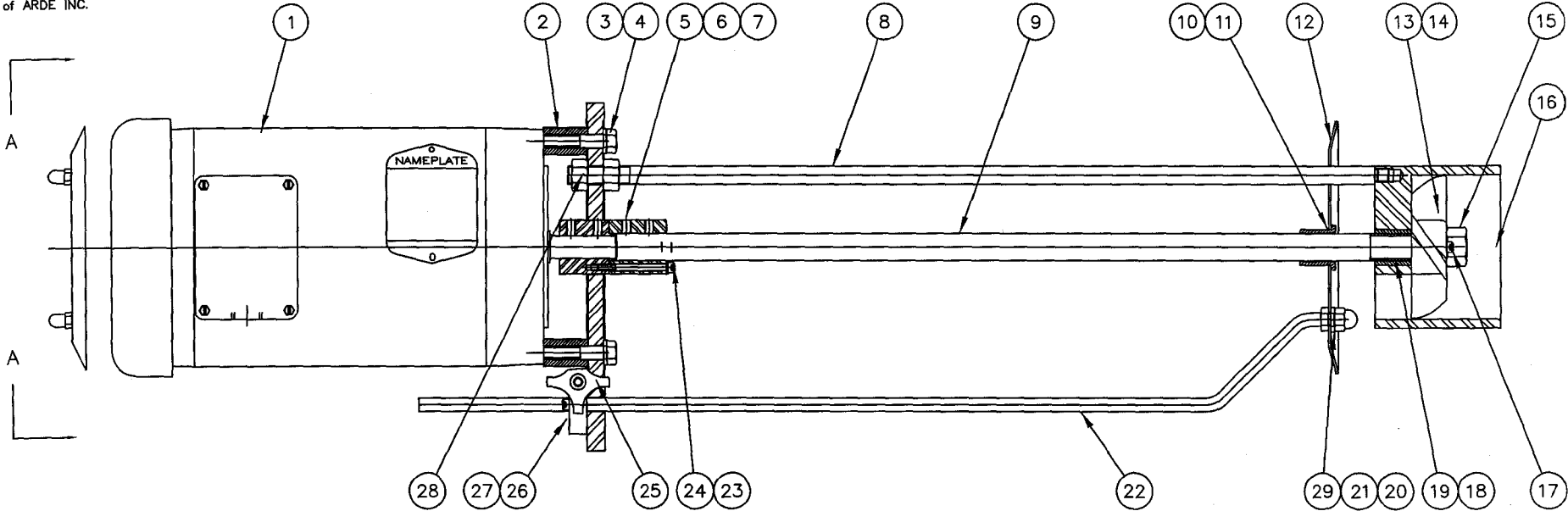
PARTS LIST

<p>UNLESS OTHERWISE SPECIFIED DIMENSIONS ARE IN INCHES TOLERANCES .X = ±.030, .XX = ±.010 .XXX = ±.005 ANGULAR ± 30' BREAK SHARP EDGES .003-.015 ALL SMALL FILLETS .020-.040R THREADS PER FED. HANDBK H-28 AND SUPPLEMENTS DIMENSIONING PER ANSI Y14.5M-1982 WELD SYMBOLS PER AWS A2.4 SURFACE ROUGHNESS SYMBOLS PER ANSI-B46.1 ALL FINISHED SURFACES 63 ✓</p>	DRAWN BY	M. T.	8/22/06	 <p>ARDE, INC. NORWOOD, NJ</p>	
	CHECKER				
<p>NEXT ASSEMBLY E***</p>	DES. ENG'R			SIZE	D
	STRESS ENG'R			CODE ID NO.	05980
	PROG. ENG'R			D9204-3	
	MFG			SCALE	
	QUAL. CONTROL			SHEET 1 OF 1	

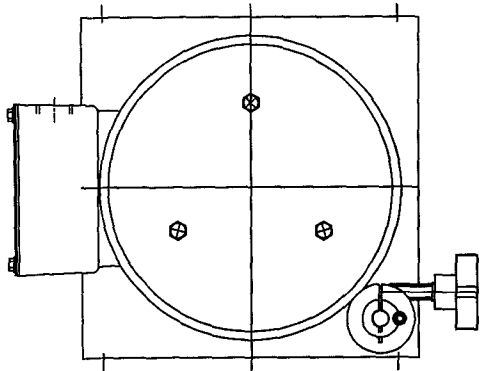
PROPRIETARY INFORMATION


The information, identifications, and drawings in this document are submitted in confidence. The recipient of it hereby agrees that the information contained is not to be copied, reproduced or disclosed in part or as a whole without written authority of ARDE INC.

REVISIONS				DATE	APPROVED
E.O. NO.	SYM	ZONE	DESCRIPTION		
	16				



VIEW A-A
TRUE ORIENTATION



QTY	REQD PER DASH NO.	ITEM NO.	CODE IDENT	PART OR IDENTIFYING NO.	NOMENCLATURE OR DESCRIPTION	MATERIAL	SPECIFICATION
PARTS LIST							
UNLESS OTHERWISE SPECIFIED DIMENSIONS ARE IN INCHES TOLERANCES FINISHES X = 0.0005, ZC = 0.000 JOCY = 0.0005 ANGULAR ± 30' BREAK SHARP EDGES JOCY-015 ALL SMALL RADIUS 0.001-0.002 SURFACES PER FED. STAND. H-26 AND SUPPLEMENT DIMENSIONS PER ASME Y14.1M-1988 WELD SYMBOLS PER AWS A2.4 SURFACE REQUIREMENTS SYMBOLS PER AWS-B4.1 ALL FINISHED SURFACES				DRAWN BY	M. T.	8/22/06	 TITLE CJ-20 PARTS LIST
CHECKER				DES. ENGR			
STRESS ENGR				PROC. ENGR			
MFR				QUAL. CONTROL			
NEXT ASSEMBLY				E.M.W.H.E.		SIZE	CODE ID NO.
						D	05980
						SCALE	2:3
						D9204	
						SHEET 1 OF 1	