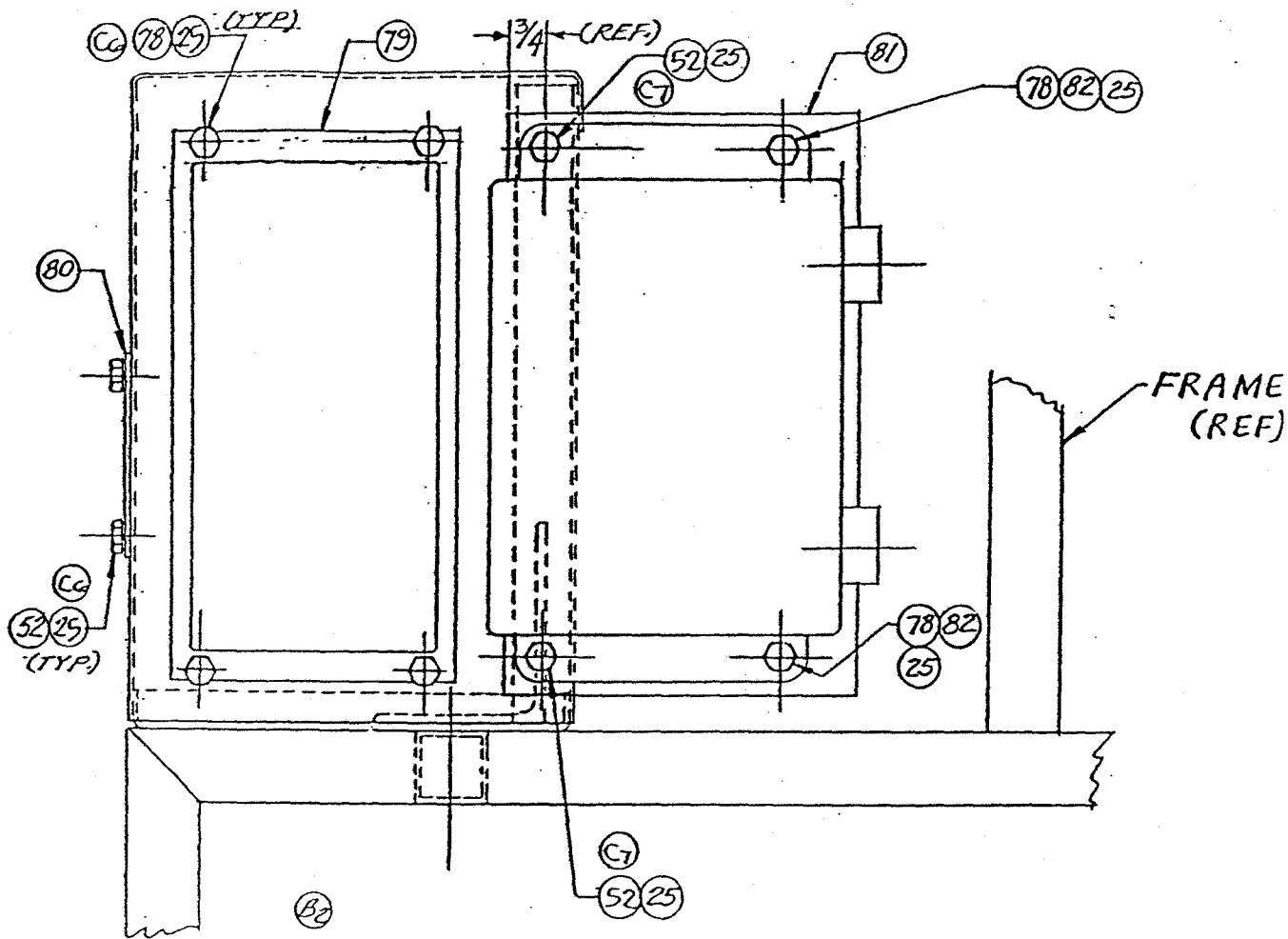


Old

|    |    |              |                              |           |           |
|----|----|--------------|------------------------------|-----------|-----------|
| 4  | 77 |              | HEX HEAD SCREW               | SS304     |           |
|    | 76 |              |                              |           |           |
| 1  | 75 | A600-75      | 1/3 DC MOTOR AUGER DRIVE     |           | NOT SHOWN |
| 1  | 74 | W31FLX       | EXTRA HEAVY FLAT WASHER      | SS304     |           |
| 1  | 73 | A600-73      | VIBRATOR                     |           |           |
| 2  | 72 | W14LL        | SPRING LOCK WASHER           | SS304     |           |
| 2  | 71 | S12C0258HL   | SOCKET HEAD CAP SCREW        | SS304     |           |
|    | 70 |              |                              |           |           |
| 1  | 69 | B600-0037-3T | GASKET                       | TEFLON    |           |
| 1  | 68 | B600-0037-3T | GASKET                       | TEFLON    |           |
| 2  | 67 | A600-67      | HEX ST. STL. CLAMP           |           |           |
| 4  | 66 | W44FL        | FLAT WASHER                  | SS304     |           |
| 8  | 65 | B600-0038-1L | FLAT WASHER                  | SS304     |           |
| 4  | 64 | A600-64      | SELF-LOCKING THREADED INSERT | SS304     |           |
| 1  | 63 | B600-0037-4T | GASKET                       | TEFLON    |           |
| 1  | 62 | A600-62      | CLAMP                        | SS304     |           |
|    | 61 |              |                              |           |           |
| 2  | 60 | S38C100HHL   | HEX HEAD SCREW               | SS304     |           |
| 1  | 59 | C600-0030-2  | MOTOR COVER (BOTTOM)         | SS304     |           |
|    | 58 |              |                              |           |           |
|    | 57 |              |                              |           |           |
|    | 56 |              |                              |           |           |
| 1  | 55 | B600-0037-2T | GASKET                       | TEFLON    |           |
| 1  | 54 | B600-0040-1L | HEX HEAD SCREW               | SS304     |           |
|    | 53 |              |                              |           |           |
| 12 | 52 | S25F050HHL   | HEX HEAD CAP SCREW           | SS304     |           |
| 4  | 51 | N31CHHL      | HEX NUT                      | SS304     |           |
| 4  | 50 | A600-50      | FULL THREADED STUD           | SS304     |           |
| 4  | 49 | N44CHHL      | HEX NUT                      | SS304     |           |
| 4  | 48 | W44LL        | SPRING LOCK WASHER           | SS304     |           |
| 4  | 47 | S44C175HHL   | HEX HEAD SCREW               | STEEL     |           |
| 2  | 46 | W38LL        | SPRING LOCK WASHER           | SS304     |           |
| 2  | 45 | N38CHHL      | HEX NUT                      | SS304     |           |
| 2  | 44 | S38C225HHL   | HEX HEAD SCREW               | SS304     |           |
| 4  | 43 | W38LL        | SPRING LOCK WASHER           | SS304     |           |
| 4  | 42 | N38CAHL      | ACORN NUT                    | SS304     |           |
| 2  | 41 | S38C125HHL   | HEX HEAD SCREW               | SS304     |           |
| 1  | 40 | C600-0030-1L | MOTOR COVER                  | SS304     |           |
| 1  | 39 | A600-18      | RADIAL SEAL                  | TEFLON/SS |           |
| 1  | 38 | B600-0031HL  | ANGLE BRACE                  | SS304     |           |
| 1  | 37 | D600-0032-3  | MOTOR REDUCER COVER          | SS304     |           |
| 1  | 36 | W31LL        | SPRING LOCK WASHER           | SS304     |           |
| 1  | 35 | A600-46      | CLAMP                        | SS304     |           |
| 1  | 34 | S31C050HHL   | HEX HEAD CAP SCREW           | SS303     |           |
| 1  | 33 | A600-33      | MOTORIZED REDUCER            |           |           |
| 1  | 32 | D600-0032-2  | MOTOR REDUCER COVER          | SS304     |           |
| 1  | 31 | D600-0032-1L | MOTOR REDUCER COVER          | SS304     |           |
| 1  | 30 | B600-0027-1L | ADAPTER PLATE                | SS304     |           |
| 1  | 29 | B600-0033-2L | SLEEVE BEARING               | SS303     |           |
| 1  | 28 | A600-28      | BOOT SPACER                  | VITON     |           |
| 1  | 27 | D600-0016-1L | HOPPER ASSEMBLY              | SS304     |           |
| 4  | 26 | N25CHJL      | HEX JAM NUT                  | SS302     |           |
| 4  | 25 | W25LL        | SPRING LOCK WASHER           | SS304     |           |
| 4  | 24 | A600-24      | VIBRATION MOUNT              | BUNA      |           |
| 1  | 23 | E600-0029-1L | FRAME                        | SS304     |           |
| 1  | 22 | D600-0028-1L | AUGER ASSEMBLY               | SS304     |           |
| 1  | 21 | B600-0037-5T | GASKET - POWDER CHUTE EXT    | TEFLON    |           |
| 1  | 20 | B600-0021-1L | CAP                          | SS304     |           |
| 1  | 19 | C600-0026-1L | POWDER CHUTE                 | SS304     |           |
| 2  | 18 | A600-18      | RADIAL SEAL                  | TEFLON/SS |           |
| 1  | 17 | B600-0034JA  | SLEEVE BEARING               | PULON J   |           |
| 1  | 16 | S31C050HHL   | HEX HEAD SCREW               | SS304     |           |
| 1  | 15 | W38FL        | FLAT WASHER                  | SS304     |           |
| 1  | 14 | B600-0033-1L | SLEEVE BEARING               | SS303     |           |
| 1  | 13 | B600-0025-1L | POWDER CHUTE EXTENSION       | SS304     |           |
| 1  | 12 | C600-0003-1V | LIQUID DISTRIBUTOR           | VITON     |           |
| 1  | 11 | D600-0002-1L | DISPENSER BODY               | SS304     |           |
| 1  | 10 | A600-10      | MOTOR - FRAME 2 TEF          |           |           |
| 1  | 9  | A600-9       | CLAMP                        | SS304     |           |
| 1  | 8  | D600-0023-1L | MOTOR INTERMEDIATE DISC      | SS304     |           |
| 1  | 7  | B600-0037-1T | GASKET                       | TEFLON    |           |
| 1  | 6  | B600-0024-2M | SLEEVE                       | SS303     |           |
| 1  | 5  | A600-5       | KEY MOTOR                    | SS304     |           |
| 1  | 4  | C600-0006-1L | IMPULSER NO.3                | SS304/305 |           |
| 1  | 3  | B600-0037-6T | GASKET                       | TEFLON    |           |
| 1  | 2  | A600-2       | RADIAL SEAL                  | TEFLON/SS |           |
| 1  | 1  | C600-0030-1L | MOTOR COVER FRONT PLATE      | SS304     |           |
|    |    |              |                              |           |           |
|    |    |              |                              |           | MODEL     |
|    |    |              |                              |           | A-1000    |



RIGHT SIDE VIEW OF MOTOR  
REDUCING COVER FOR MTG.  
OF CONTROLLER & SWITCH BOX.

|    |             |                  |        |   |
|----|-------------|------------------|--------|---|
| 83 | B600-0037-7 | GASKET           | TEFLON | 5 <sup>2</sup> / <sub>32</sub> O.D. x .031 THICK                                  |
| 82 |             | HEX NUT          | SS 304 | 1/4-28  |
| 81 | B600-0046N  | PLATE, MOUNTING  | SS 304 | 6x10 x NO. 14 (.078) GA.  |
| 80 | B600-0045N  | PLATE, COVER     | SS 304 | 3 <sup>1</sup> / <sub>2</sub> x 3 <sup>1</sup> / <sub>2</sub> x NO. 14 (.078) GA. |
| 79 | A600-79     | CONTROLLER       |        |   |
| 78 |             | HEX HD CAP SCREW | SS 304 | 1/4-28 x 3/4" LONG  |
| 84 | K1919200M   | Auger Key        | 316 SS | 3/16 sq x 2" Long   |

FRAME 2A

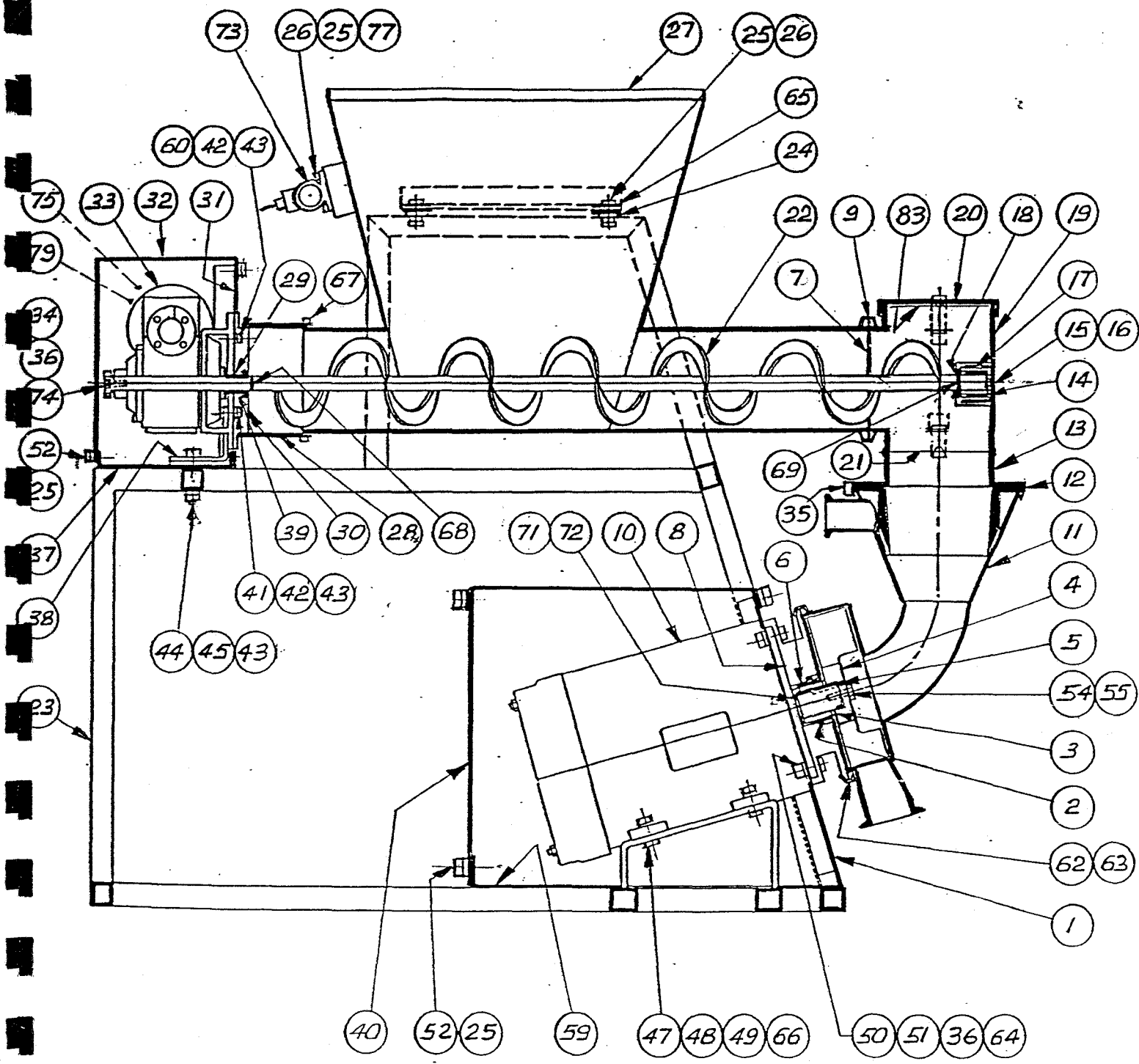

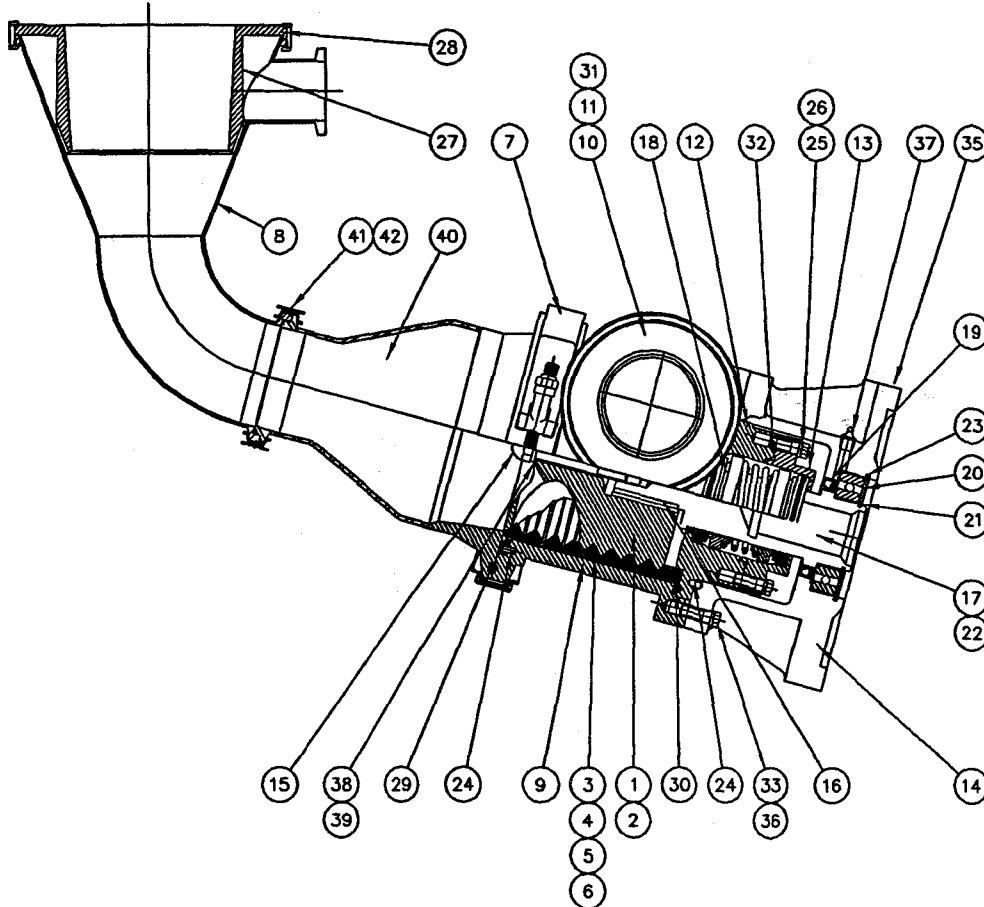


FIGURE 2

|     |                   |          | 1          | 42                      | A600-63L                    | CLAMP                 | ST/ST         |                      |
|-----|-------------------|----------|------------|-------------------------|-----------------------------|-----------------------|---------------|----------------------|
|     |                   |          | 1          | 41                      | A600-29V                    | "O" RING              | VITON         |                      |
|     |                   |          | 1          | 40                      | C600-0072M                  | INLET ADAPTOR         | 316 ST/ST     |                      |
|     |                   |          | 1          | 39                      | W50LM                       | LOCKWASHER            | 316 ST/ST     | 1/2                  |
|     |                   |          | 1          | 38                      | A63-56T                     | 2-014 "O" RING        | TEFLON        |                      |
|     |                   |          | 1          | 37                      | A63-42S                     | 1/8 NPT GREASE NIPPLE |               |                      |
|     |                   |          | 6          | 36                      | S38C125HHS                  | SCREW, HEX. HD. CAP   | STEEL         | 3/8-16 NC x 1/4 LONG |
|     |                   |          | 1          | 35                      | B80014L                     | NAMEPLATE             |               |                      |
|     |                   |          | 1          | 34                      | B80013                      | LABEL, ROTATION       | VINYL         | NOT SHOWN            |
|     |                   |          | 6          | 33                      | W38LL                       | LOCKWASHER            | SST           | 3/8                  |
|     |                   |          | 1          | 32                      | A63-32V                     | "O" RING              | VITON         |                      |
|     |                   |          | 1          | 31                      | A63-31V                     | "O" RING              | VITON         |                      |
|     |                   |          | 1          | 30                      | A63-30V                     | "O" RING              | VITON         |                      |
|     |                   |          | 1          | 29                      | A63-29V                     | "O" RING              | VITON         |                      |
|     |                   |          | 1          | 28                      | A600-46                     | CLAMP, WORM           |               |                      |
|     |                   |          | 1          | 27                      | C600-0003-1V                | DISTRIBUTOR, LIQUID   | VITON         |                      |
|     |                   |          | 2          | 26                      | W38LL                       | LOCKWASHER            | ST/ST         | 3/8                  |
|     |                   |          | 2          | 25                      | S38C125HHL                  | SCREW, HEX. HD. CAP   | ST/ST         | 3/8-16 NC x 1/4 LONG |
|     |                   |          | 2          | 24                      | A63-24L                     | DOWEL PIN             | ST/ST         | 3/16 x 1/2 LONG      |
|     |                   |          | 1          | 23                      | A63-393L                    | RETAINING RING        | COMM.         | TRUARC N5000-393     |
|     |                   |          | 1          | 22                      | A63-21L                     | KEY, MOTOR            | SST           |                      |
|     |                   |          | 1          | 21                      | A63-215S                    | RETAINING RING        | COMM.         | TRUARC N5100-215     |
|     |                   |          | 1          | 20                      | A63-20S                     | BALL BEARING          | COMM.         | SKF 6211-2Z          |
|     |                   |          | 1          | 19                      | A63-19SV                    | SEAL, LIP             | COMM.         | C/R 24897            |
|     |                   |          | 1          | 18                      | A63-18V                     | SEAL, MECH.           | COMM.         | CRANE                |
|     |                   |          | 1          | 17                      | D80039-2M                   | SHAFT                 | 316 ST/ST     |                      |
|     |                   |          | 1          | 16                      | A63-16M                     | KEY, IMPELLER         | 316 ST/ST     | 1/4 x 1/4 x 2 LONG   |
|     |                   |          | 1          | 15                      | B80072-2M                   | SCREW, IMPELLER       | 316 ST/ST     |                      |
|     |                   |          | 1          | 14                      | E80037I                     | MAIN FRAME            | CAST IRON     |                      |
|     |                   |          | 1          | 13                      | D80036M                     | RETAINER, SEAL        | 316 ST/ST     |                      |
|     |                   |          | 1          | 12                      | D80035M                     | INTERMEDIATE DISC     | 316 ST/ST     |                      |
|     |                   |          | 1          | 11                      | A63-11L                     | CLAMP ASSEMBLY        | COMM.         |                      |
|     |                   |          | 1          | 10                      | C8026-2M                    | FLANGE, OUTLET TRI.   | 316 ST/ST     |                      |
|     |                   |          | 1          | 9                       | D80033-2M                   | IMPELLER CASING       | 316 ST/ST     |                      |
|     |                   |          | 1          | 8                       | ***                         | FUNNEL                | 316 ST/ST     | D600-0002-2mx        |
|     |                   |          | 1          | 7                       | A63-7L                      | CLAMP ASSEMBLY        | COMM.         |                      |
|     |                   |          |            | 6                       | C80031-1M                   | LINER, TOOTHED        | 316 ST/ST     | BLIND HALF           |
|     |                   |          |            | 5                       | C80031N                     | LINER, TOOTHED        | 316 ST/ST     | GRID HALF            |
|     |                   |          | 1          | 3                       | D80029M                     | LINER, SMOOTH OPEN    | 316 ST/ST     |                      |
|     |                   |          |            | 2                       | D80028-2M                   | IMPELLER, TOOTHED     | 316 ST/ST     |                      |
|     |                   |          | 1          | 1                       | D80027M                     | IMPELLER, SMOOTH      | 316 ST/ST     |                      |
|     |                   |          |            |                         | D6006-1                     |                       |               |                      |
| QTY | REQD PER DASH NO. | ITEM NO. | CODE IDENT | PART OR IDENTIFYING NO. | NOMENCLATURE OR DESCRIPTION | MATERIAL              | SPECIFICATION |                      |

PARTS LIST

|  |              |       |              |   |             |                                     |  |
|--|--------------|-------|--------------|---|-------------|-------------------------------------|--|
| UNLESS OTHERWISE SPECIFIED DIMENSIONS ARE IN INCHES<br>TOLERANCES<br>.X = ±.030, .XX = ±.010<br>.XXX = ±.005 ANGULAR ± 30'<br>BREAK SHARP EDGES .003-.015<br>ALL SMALL FILLETS .020-.040R<br>THREADS PER FED. HANDBK H-28 AND SUPPLEMENTS<br>DIMENSIONING PER ANSI Y14.5M-1982<br>WELD SYMBOLS PER AWS A2.4<br>SURFACE ROUGHNESS SYMBOLS PER ANSI-B46.1<br>ALL FINISHED SURFACES $\sqrt{63}$ | DRAWN BY     | M. T. | 6/24/04      | <br>NORWOOD, NJ |             |                                     |  |
|  | CHECKER      |       |              |   |             | TITLE<br>D6006 ASSY<br>PARTS'S LIST |  |
|  | DES. ENG'R   |       |              | SIZE  | CODE ID NO. |                                     |  |
|  | STRESS ENG'R |       |              | D   | 05980       |                                     |  |
|  | PROG. ENG'R  |       |              | D6006-1   |             |                                     |  |
| MFG  |              |       | SCALE 1/2    |   |             |                                     |  |
| QUAL CONTROL   |              |       | SHEET 1 OF 1 |   |             |                                     |  |
| NEXT ASSEMBLY  | E***         |       |              |   |             |                                     |  |



| QTY | REQD PER DASH NO. | ITEM NO. | CODE      | PART OR IDENTIFYING NO. | NOMENCLATURE OR DESCRIPTION | MATERIAL  | SPECIFICATION      |
|-----|-------------------|----------|-----------|-------------------------|-----------------------------|-----------|--------------------|
|     |                   | 1        | 42        | A600-63                 | CLAMP                       | ST        |                    |
|     |                   | 1        | 41        | A600-29V                | "O" RING                    | VITON     |                    |
|     |                   | 1        | 40        | C600-0072M              | INLET ADAPTOR               | 316 ST    |                    |
|     |                   | 1        | 39        | W50LM                   | LOCKWASHER                  | 316 ST    |                    |
|     |                   | 1        | 38        | A63-56T                 | 2-014 "O" RING              | TEFLON    |                    |
|     |                   | 1        | 37        | A63-42S                 | 1/8 NPT GREASE NIPPLE       |           |                    |
|     |                   | 6        | 36        | S38C123+HS              | SCREW, HEX. HD. CAP         | STEEL     | 3/16 NC x 1 1/2 LD |
|     |                   | 1        | 35        | B80014L                 | NAMEPLATE                   |           |                    |
|     |                   | 1        | 34        | B80013                  | LABEL, ROTATION             | VINYL     | NOT SHOWN          |
|     |                   | 6        | 33        | W38LL                   | LOCKWASHER                  | SST       |                    |
|     |                   | 1        | 32        | A63-32V                 | "O" RING                    | VITON     |                    |
|     |                   | 1        | 31        | A63-31V                 | "O" RING                    | VITON     |                    |
|     |                   | 1        | 30        | A63-30V                 | "O" RING                    | VITON     |                    |
|     |                   | 1        | 29        | A63-29V                 | "O" RING                    | VITON     |                    |
|     |                   | 1        | 28        | A600-46                 | CLAMP, WDRM                 |           |                    |
|     |                   | 1        | 27        | C600-0003-1V            | DISTRIBUTOR, LIQUID         | VITON     |                    |
|     |                   | 2        | 26        | W38LL                   | LOCKWASHER                  | ST        |                    |
|     |                   | 2        | 25        | S38C123+HL              | SCREW, HEX. HD. CAP         | ST        | 3/16 NC x 1 1/2 LD |
|     |                   | 2        | 24        | A63-24L                 | DOWEL PIN                   | 316 ST    | 3/4 x 1/2 LONG     |
|     |                   | 1        | 23        | A63-393L                | RETAINING RING              | CDMM      | TRIARC N5000-39    |
|     |                   | 1        | 22        | A63-21L                 | KEY, MOTOR                  | SST       |                    |
|     |                   | 1        | 21        | A63-21SS                | RETAINING RING              | CDMM      | TRIARC N5100-21    |
|     |                   | 1        | 20        | A63-20S                 | BALL BEARING                | CDMM      | SKF 6211-2Z        |
|     |                   | 1        | 19        | A63-19SV                | SEAL, LIP                   | CDMM      | C/R 24897          |
|     |                   | 1        | 18        | A63-18V                 | SEAL, MECH.                 | CDMM      | CRANE              |
|     |                   | 1        | 17        | D80039-2M               | SHAFT                       | 316 ST    |                    |
|     |                   | 1        | 16        | A63-16M                 | KEY, IMPELLER               | 316 ST    | 1/2 x 1/2 x 2 LONG |
|     |                   | 1        | 15        | B80072-2M               | SCREW, IMPELLER             | 316 ST    |                    |
|     |                   | 1        | 14        | E80037I                 | MAIN FRAME                  | CAST IRON |                    |
|     |                   | 1        | 13        | D80036M                 | RETAINER, SEAL              | 316 ST    |                    |
|     |                   | 1        | 12        | D80035M                 | INTERMEDIATE DISC           | 316 ST    |                    |
|     |                   | 1        | 11        | A63-11L                 | CLAMP ASSEMBLY              | CDMM      |                    |
|     |                   | 1        | 10        | C8026-2M                | FLANGE, OUTLET TRI.         | 316 ST    |                    |
|     |                   | 1        | 9         | D80033-2M               | IMPELLER CASING             | 316 ST    |                    |
|     |                   | 1        | 8         | MIR                     | FUNNEL                      | 316 ST    |                    |
|     |                   | 1        | 7         | A63-7L                  | CLAMP ASSEMBLY              | CDMM      |                    |
|     |                   | 6        | C80031-1H | LINER, TOOTHED          | 316 ST                      |           |                    |
|     |                   | 5        | C80031N   | LINER, TOOTHED          | 316 ST                      |           |                    |
|     |                   | 4        | D80030N   | LINER, SERRATED         | 316 ST                      |           |                    |
|     |                   | 1        | 3         | D80029M                 | LINER, SMOOTH OPEN          | 316 ST    |                    |
|     |                   | 2        | D80028-2M | IMPELLER, TOOTHED       | 316 ST                      |           |                    |
|     |                   | 1        | 1         | D80027M                 | IMPELLER, SMOOTH            | 316 ST    |                    |
|     |                   |          |           | D6006-1                 |                             |           |                    |

| UNLESS OTHERWISE SPECIFIED DIMENSIONS ARE IN DECIMALS<br>INCHES<br>1" = 25.4MM, 1/2" = 12.7MM<br>3/16" = 4.76MM, 1/4" = 6.35MM<br>1/8" = 3.175MM, 3/32" = 2.38MM<br>ALL SMALL INLETS .400-.600<br>TOLERANCE PER MIL PERIOD 14-38 AND SUPPLEMENTARY<br>DIMENSIONS FOR ASEE 11A-11B<br>HOLD DIMENSIONS FOR ASEE 12A<br>SURFACE FINISHES SYMBOLS FOR ASEE-BAIT<br>ALL FINISHED SURFACES |       | DRAWN BY | M. T. | 6/24/04 | PARTS LIST |              |
|--|-------|----------|-------|---------|------------|--------------|
| CHECKED  |       |          |       |         | ARDE, INC. |              |
| DES. DWG.  |       |          |       |         | DEPT. 2F   |              |
| CHECK DWG.   |       |          |       |         | TITLE      | D6006 ASSY   |
| PROD. DWG.   |       |          |       |         |            | PARTS'S LIST |
| WFO  |       |          |       |         | SIZE       | CODE NO.     |
| QUAL. CONTROL  |       |          |       |         | D          | 05980        |
| NEXT ASSEMBLY  | E.MER |          |       |         | SCALE      | 1/2          |
|  |       |          |       |         |            | D6006-1      |